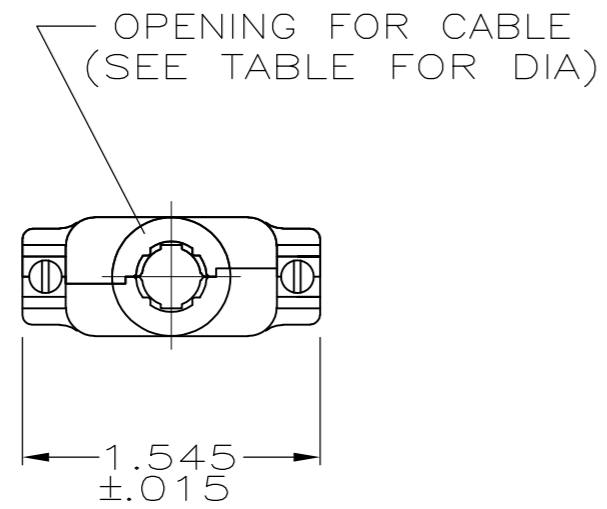
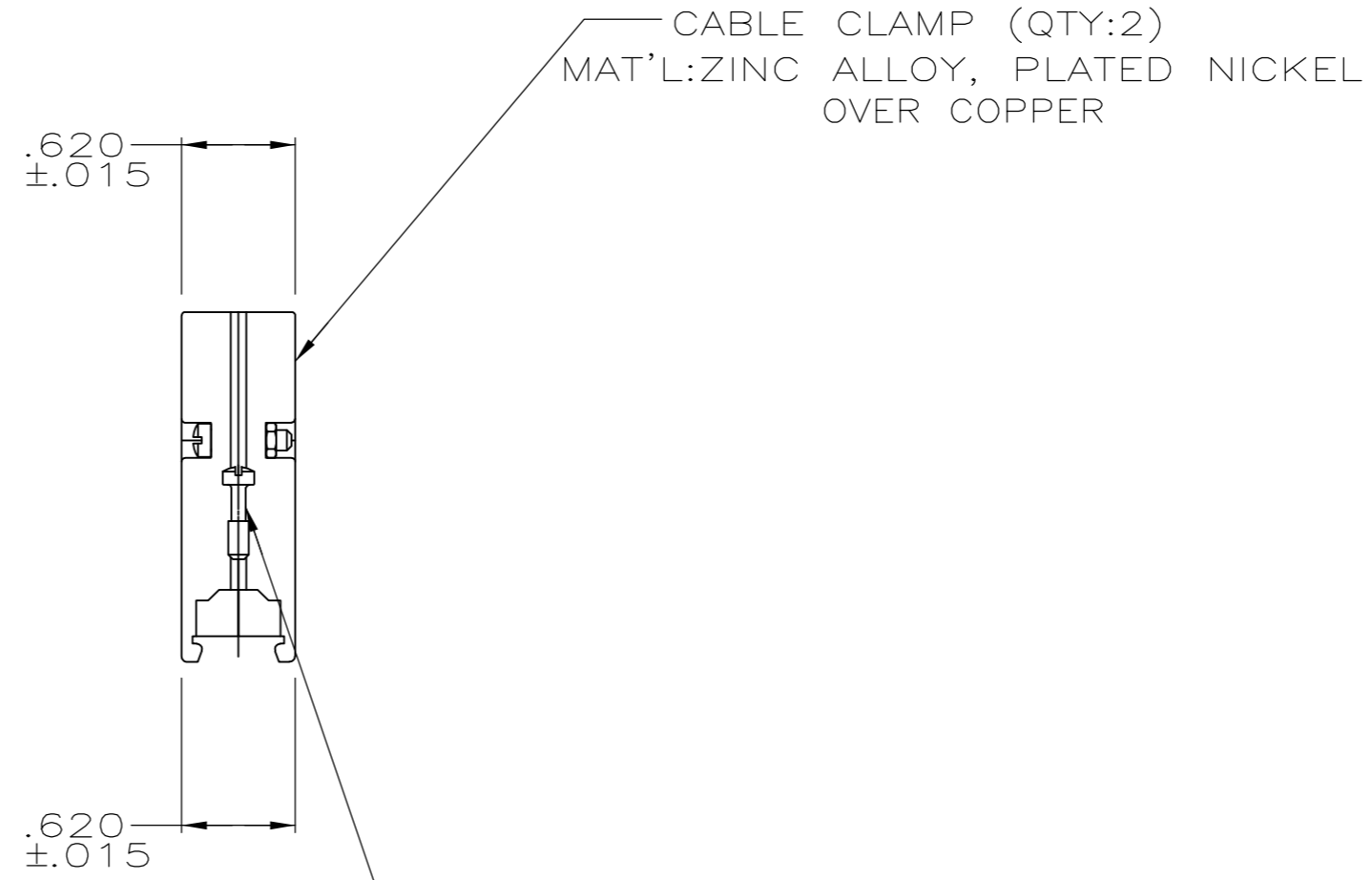
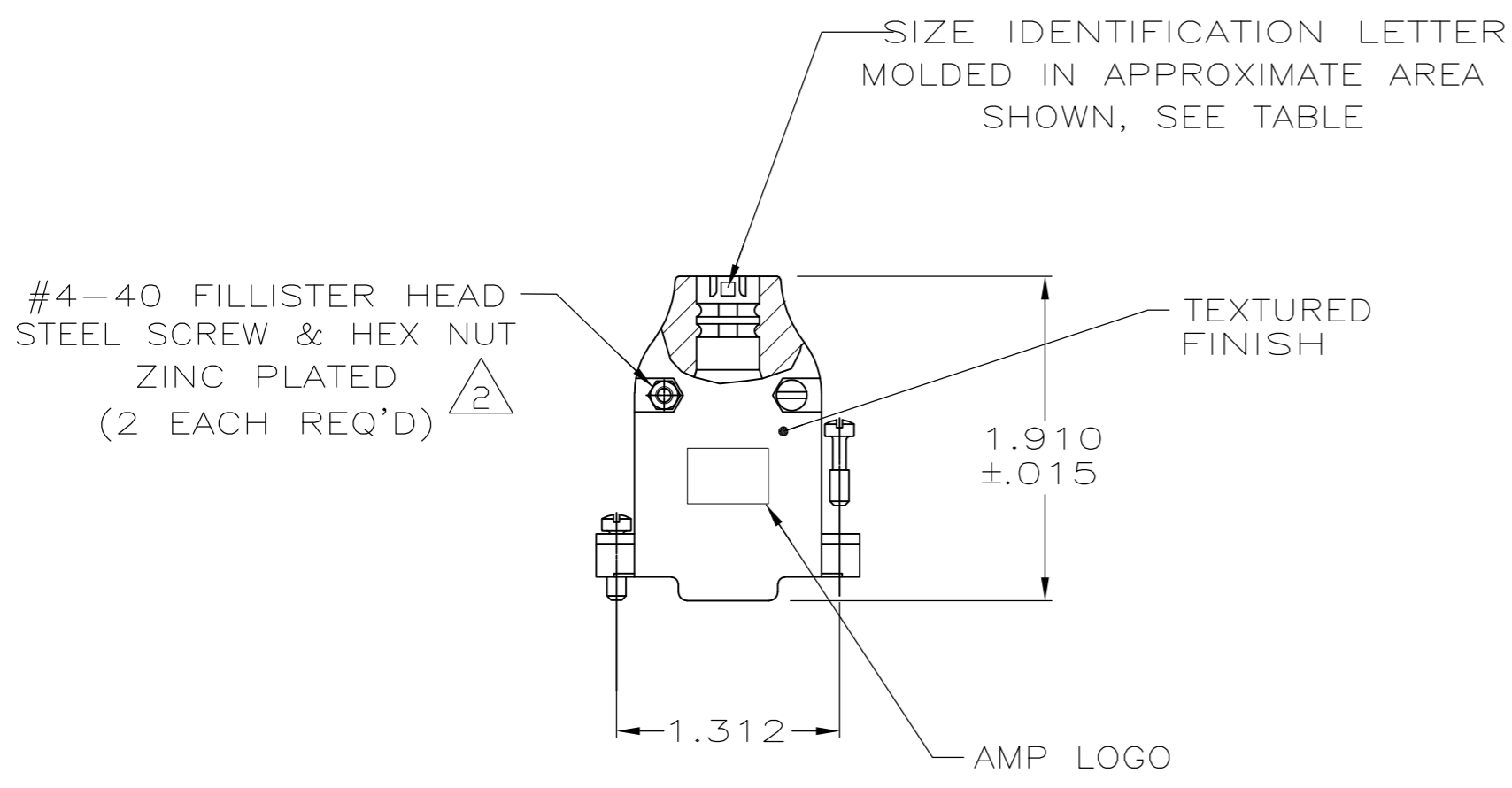


THIS DRAWING IS UNPUBLISHED. RELEASED FOR PUBLICATION  
 © COPYRIGHT - By - ALL RIGHTS RESERVED.

LOC	DIST	REVISIONS					
GP	00	P	LTR	DESCRIPTION	DATE	DWN	APVD
		P		REVISED PER ECO-11-005033	23MAR11	RK	HMR



- 1. PARTS PACKAGED UNASSEMBLED.
- 2. ZINC PLATED .000200-.000400 THICK, CLEAR CHROMATE COATING.



#4-40 FILLISTER HD SCREW  
MAT'L: STEEL, 2

K	.430	1-5745172-3
B	.225	5745172-3
E	.300	5745172-2
H	.375	5745172-1
NECK IDENT	CABLE DIA	PART NO

THIS DRAWING IS A CONTROLLED DOCUMENT.		DWN B. MCMASTER 02AUG05	<b>TE</b> TE Connectivity	
DIMENSIONS: INCHES		CHK J. GERACE 02AUG05		
TOLERANCES UNLESS OTHERWISE SPECIFIED:		APVD M. WALMSLEY 02AUG05	NAME CABLE CLAMP KIT, UNASSEMBLED, SIZE 2, 15 POSITION, 180 DEGREES, AMPLIMITE	
0 PLC ± -		PRODUCT SPEC	SIZE	
1 PLC ± -		APPLICATION SPEC	CAGE CODE	
2 PLC ± -		WEIGHT	DRAWING NO	
3 PLC ± .005		RESTRICTED TO	A2 00779 C-5745172	
4 PLC ± -		CUSTOMER DRAWING	SCALE 1:1 SHEET 1 of 1 REV P	
ANGLES ± -				
FINISH				
SEE CALLOUTS				